

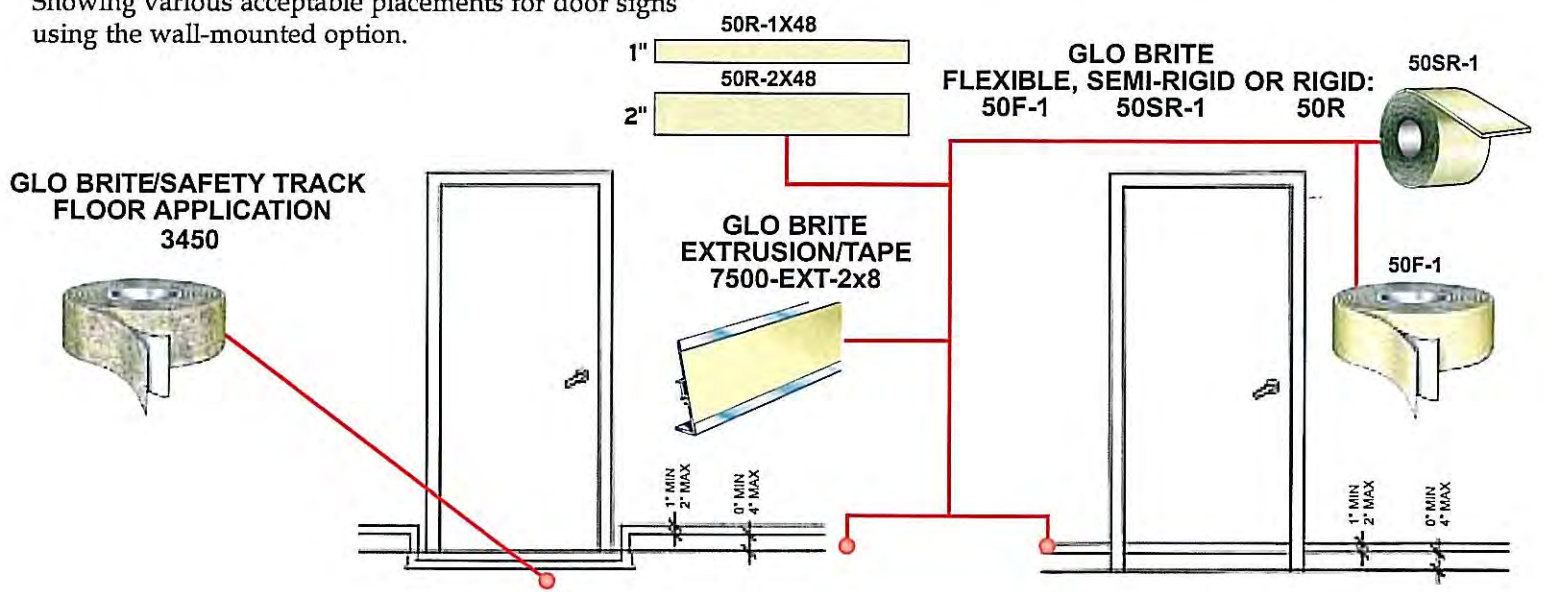
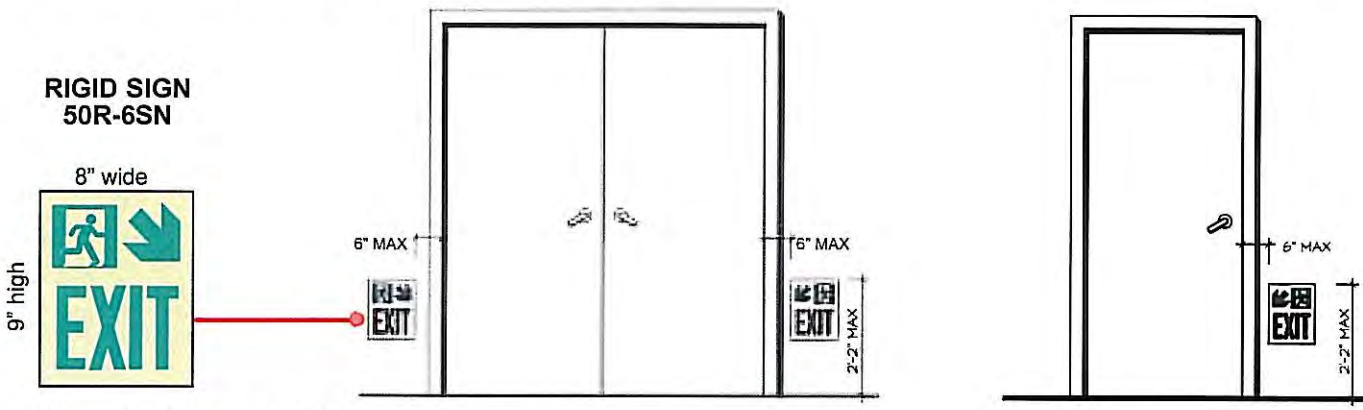
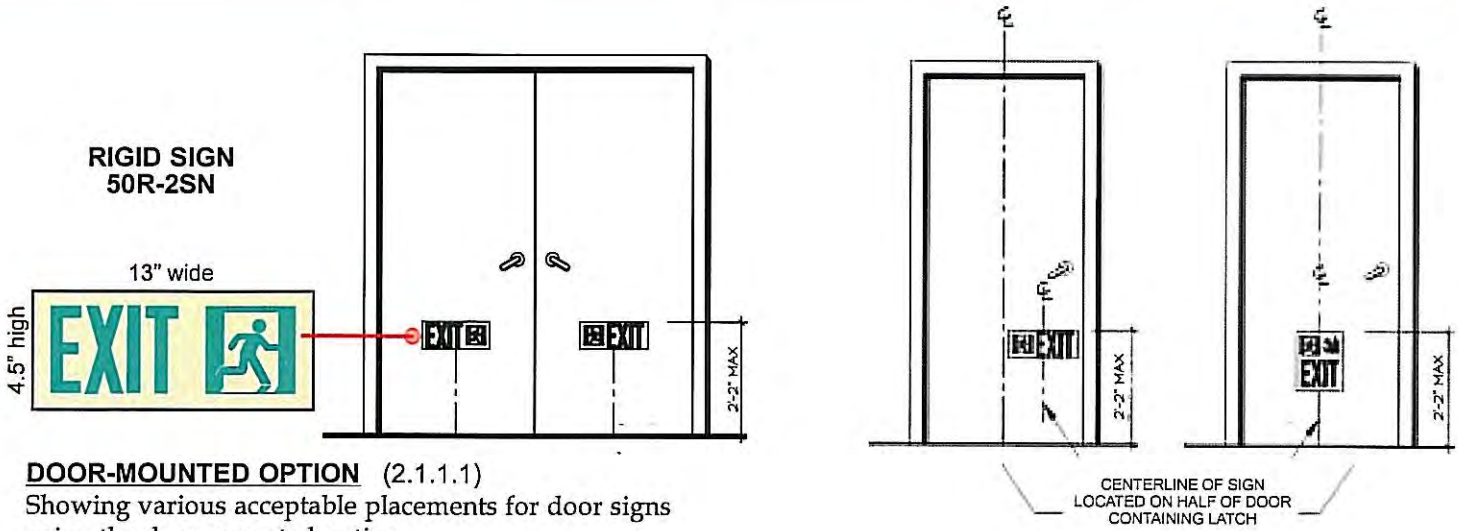


Architectural Identity Consultants

New York City Components Local Law 26

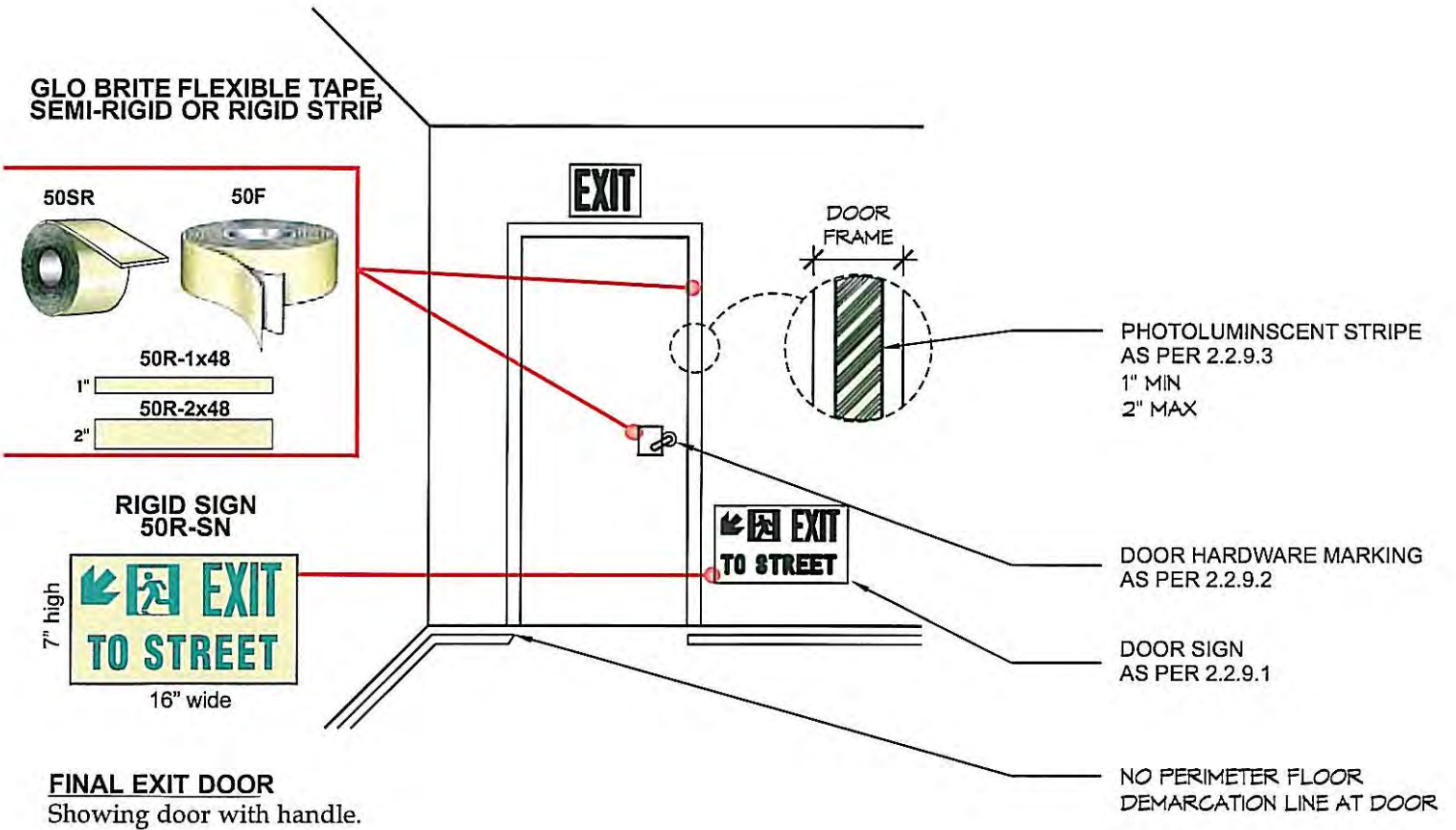
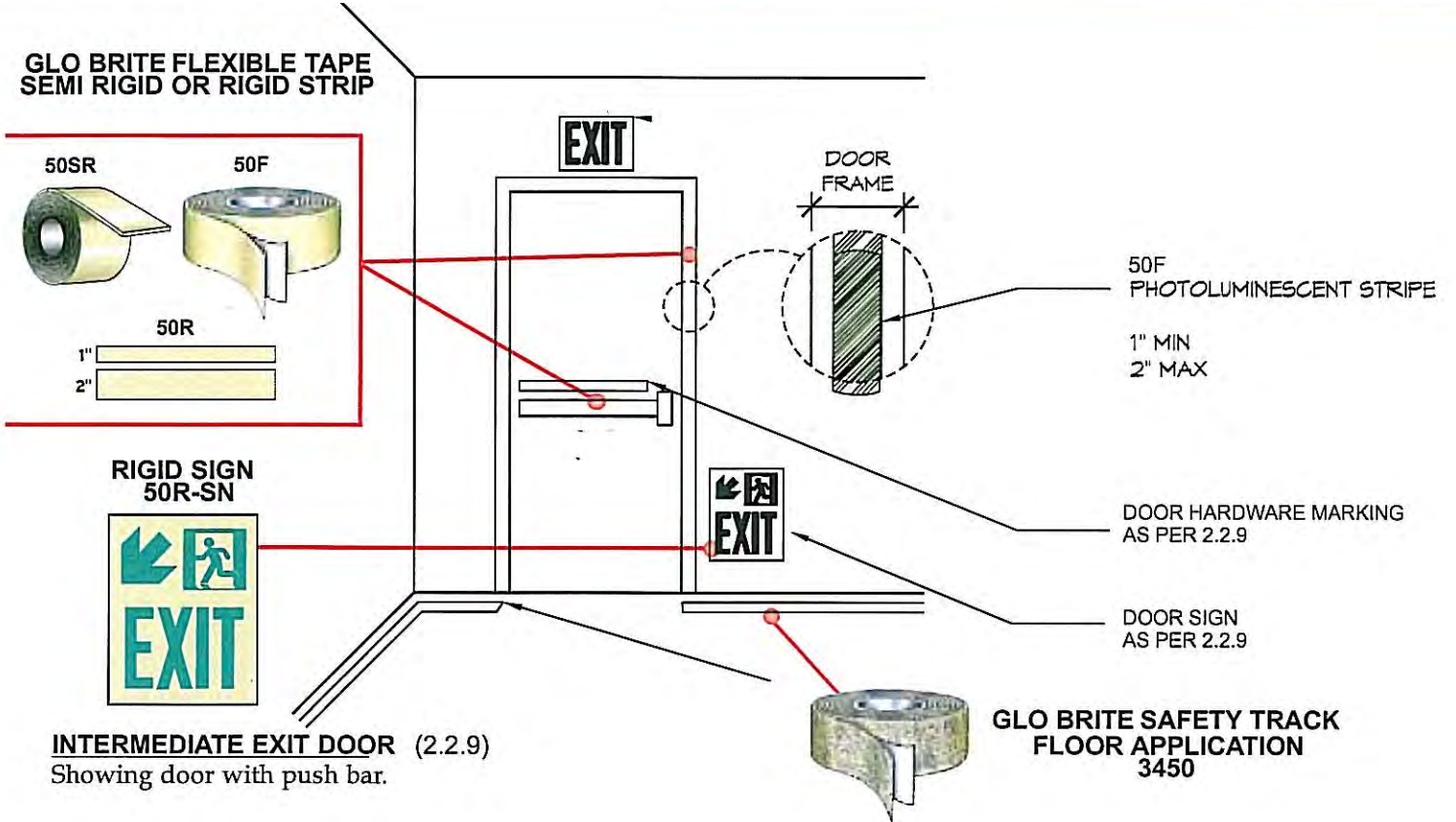
For additional information
please contact your sales representative.

DOORS



PERIMETER DEMARCATION LINES (2.2.1.4.2)
Showing wall-mounted option at non-egress points.

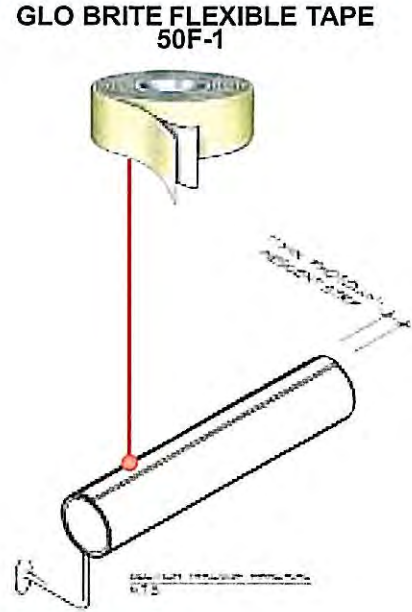
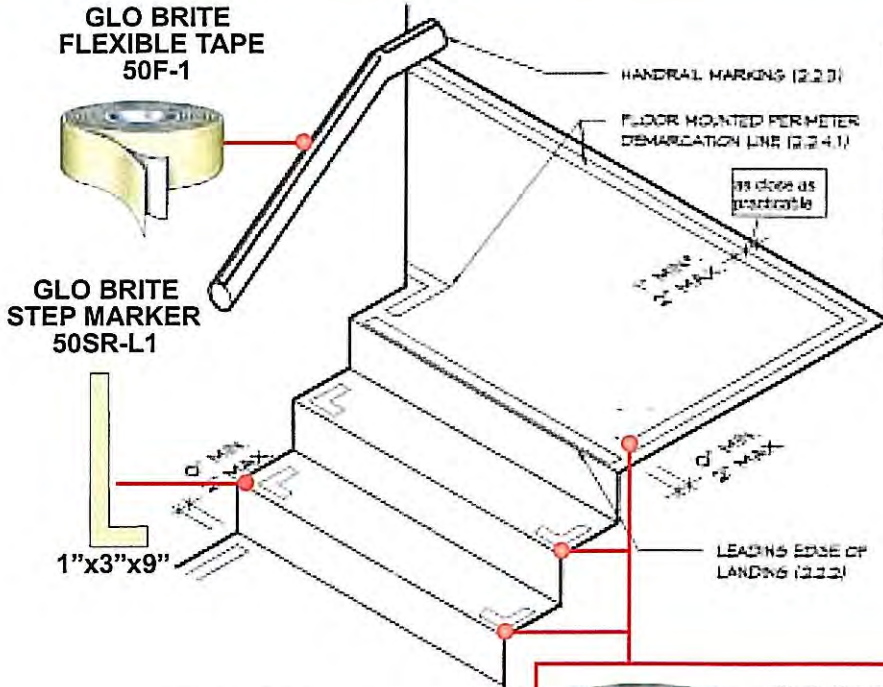
DOORS



STAIRWELLS



352 Washington Avenue, Carlstadt, NJ 07072
201-939-5577 · FAX 201-939-7043



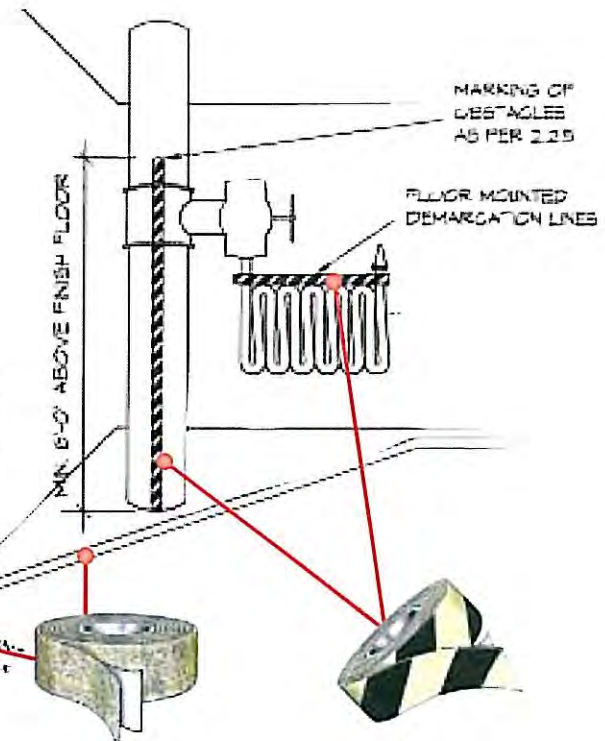
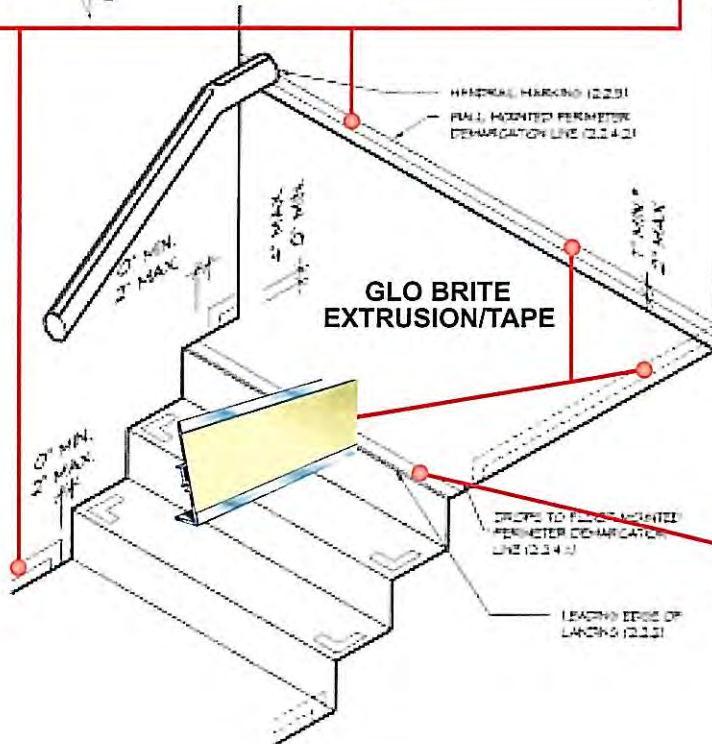
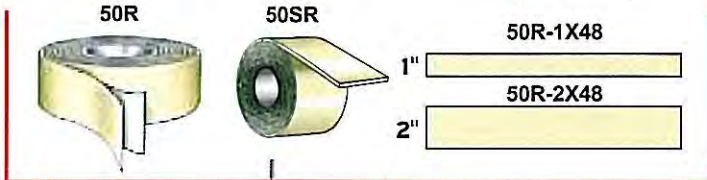
GLO BRITE FLEXIBLE TAPE, SEMI-RIGID OR RIGID STRIP



GLO BRITE SAFETY TRACK 3450



SEMI RIGID 50SR



GLO BRITE SAFETY TRACK FLOOR APPLICATION 3450

STRIPED TAPE 50F-1STP